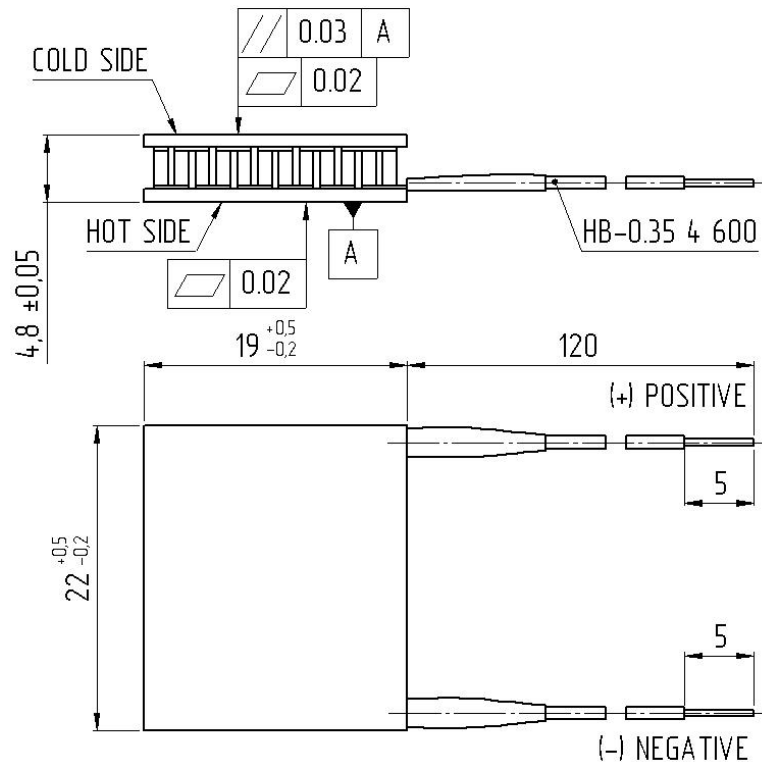
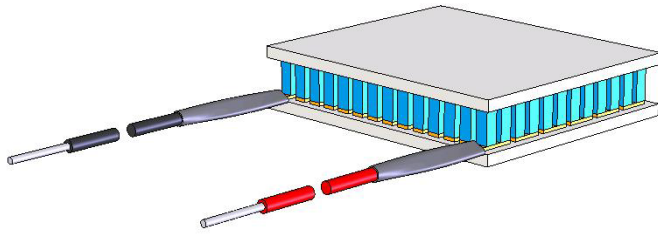


SPECIFICATION OF THERMOELECTRIC MODULE TB-83-1.0-2.5


| Thermoelectrical parameters | Unit | Value |
|-----------------------------|-------|----------|
| I_{max} | Amps | 1.9 |
| U_{max} | Volts | 10.4 |
| ΔT_{max} | K | 70 |
| Q_{max} | Watts | 12.0 |
| R_{ac} (at 295 K) | Ohm | 4.15 |
| Tolerance | % | ± 10 |

All parameters except R_{ac} are given at $T_h=300$ K

| Assembly parameters | Unit | Value |
|---------------------|-----------------|-------|
| Wires | HB-0.35 4 600 | |
| Cross section | mm ² | 0.35 |
| Metallization | Not | |
| Sealing | Not | |
| Internal solder | °C | 139 |
| Brazing solder | °C | not |

| Operational parameters | Unit | Value |
|-----------------------------|------|----------------|
| Working temperature range | °C | $-50 \div +80$ |
| Max. processing temperature | °C | 130 |
| ROHS compliance | | YES |

